



INDIAN SCHOOL AL WADI AL KABIR

DEPARTMENT OF MATHEMATICS (2023-2024)

TOPIC: MEASUREMENTS

REVISION WORKSHEET

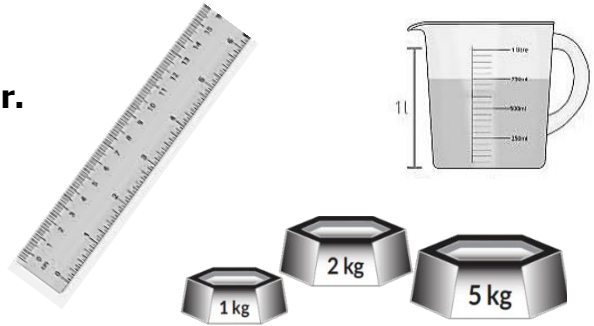
RESOURCE PERSON: MS. JYOTI SINGH

NAME: _____ CLASS: III SEC: _____ DATE: _____

Read the instructions and do as directed.

I) Fill in the blanks with the correct answer.

- a) 1 m = _____ cm.
- b) 1000 ml = _____ litres.
- c) 1 Kg = _____ g
- d) We measure the distance between India and Nepal in _____. (cm/m/km)
- e) The weight of a horse is measured in _____. (grams/kilograms)
- f) Water in a swimming pool is measured in _____. (millilitres / litres)
- g) 5 kg = _____ g.
- h) 2 km = _____ m



II) Convert the following.

| a) 3 m 50 cm to cm | b) 440 cm to m and cm |
|--------------------|-----------------------|
| | |
| | |
| | |
| | |

III) FUN WITH MATH.

1) Tuntun Aunty wants to make Chota Bheem's favourite ladoos. She has listed the ingredients. You need to convert the units as instructed.

a) Gram floor: 6 kg = _____ g (convert to gram)

b) Sugar: 3 kg = _____ g (convert to gram)

c) Vegetable oil (Ghee): 3 litres = _____ ml



2) Chota Bheem is going to meet his friends Dholu and Bholu who are in two different cities. (Convert the units as asked)

a) Chota Bheem travels **2 km 500 m** = _____ **m** to meet Dholu.

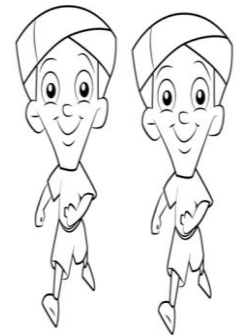
| |
|--|
| |
| |
| |

b) Chota Bheem travels **4500 m** = _____ **km** _____ **m** to meet Bholu.

| |
|--|
| |
| |
| |

c) He gifted **1500 g** = _____ **kg** _____ **g** sweets to Dholu.

| |
|--|
| |
| |
| |



d) Bholu offered **2000 ml** = _____ **litre** of mango juice to Chota Bheem.

